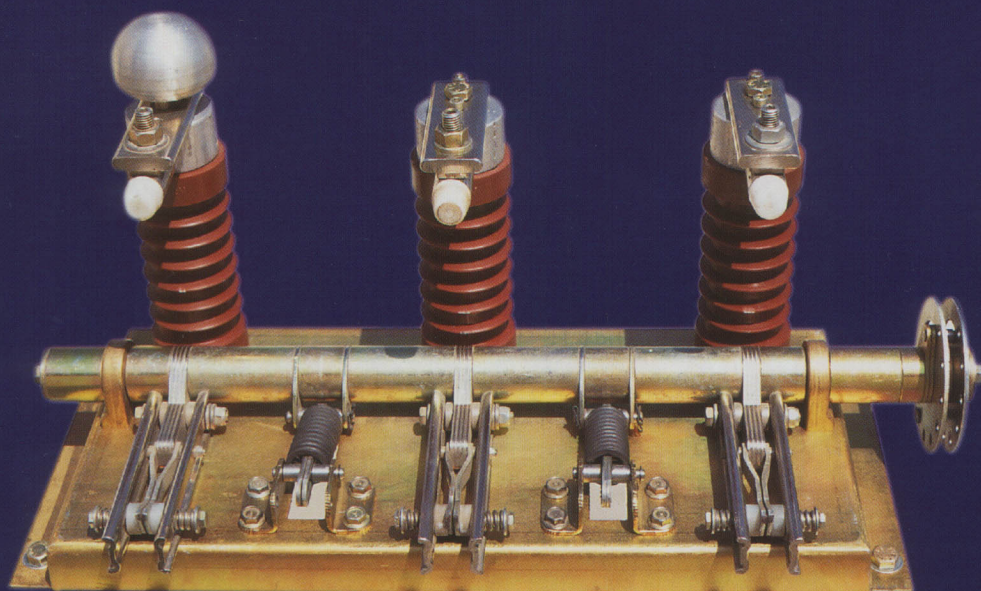


**INDOOR & OUTDOOR TYPE  
DISCONNECTING & EARTHING SWITCHES  
12kV to 36 kV**

**PELKA**

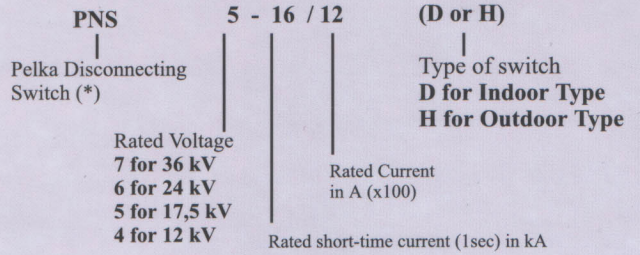


## TECHNICAL FEATURES

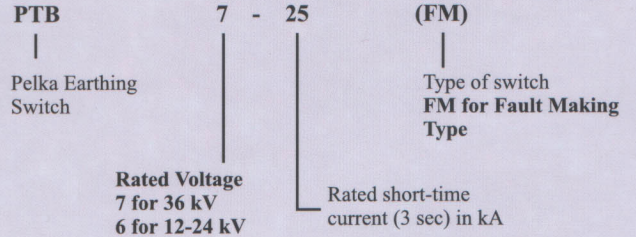
- Safety in commissioning works and tests by disconnecting the related parts of the system at no load condition
- Reliability in earthing and short circuiting the dead parts of the system
- Fully in compliance with IEC Publication No. 129
- Type test certificates from CESI in all the ratings and all types, i.e. indoor, outdoor, and set-up in cubicle.
- Long mechanical endurance
- Possibility of supplying standard disconnecting switches type PNS and also the following alternatives (\*)
  - PTS : .. with earthing switch
  - PSS : .. with fuse mount for H.R.C. fuses
  - PSTS : .. with both fuse mount and earthing switch
- Mechanical interlock between earthing and the main blades
- Possibility of having fault making earthing switches
- Hook stick operation and drive mechanism operation alternatives
- Possibility of having fault making earthing switches
- Choice of epoxy resin or porcelain insulators
- Double blade knives of drawn strip silver coated copper self gripping with adjustable spring

## TYPE DESIGNATION

### Disconnecting Switches



### Earthing Switches



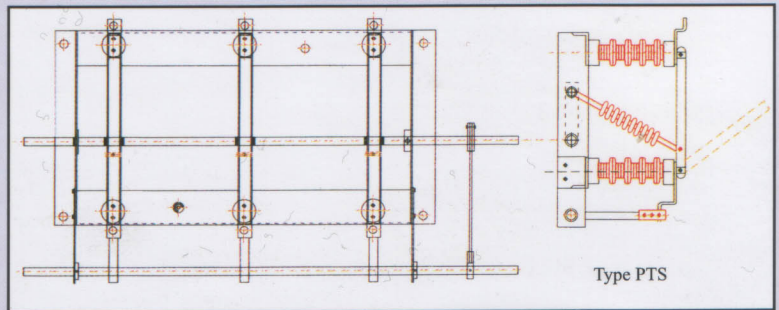
## PRODUCTION RANGE

### • Indoor & Outdoor Type Disconnecting Switches

Type	Rated Voltage	Rated Current	Rated Short Time Current (1 sec)	Rated Peak Withstand Current (1sec)	Rated Power Frequency Withstand Voltage		Rated Impulse Withstand Voltage	
					Phase to earth	Between terminals	Phase to earth	Between terminals
PNS PTS PSS PSTS	12 kV	630A 1250A 1600A 2000A	16kA 20kA 25kA 31,5kA	40kA 50kA 63kA 79kA	28kV	32kV	75kV	85kV
	17.5 kV	630A 1250A 1600A 2000A	16kA 20kA 25kA 31,5kA	40kA 50kA 63kA 79kA	38kV	45kV	95kV	110kV
	24 kV	630A 1250A 1600A 2000A	16kA 20kA 25kA 31,5kA	40kA 50kA 63kA 79kA	50kV	60kV	125kV	145kV
	36 kV	630A 1250A 1600A 2000A	16kA 20kA 25kA 31,5kA	40kA 50kA 63kA 79kA	70kV	80kV	170kV	195kV

### • Earthing Switches

Type	Rated Voltage	Rated Short Time Current (3 sec)	Rated Peak Withstand Current (3sec)
PTB	12kV 17.5kV 24kV 36kV	16-31.5kA 16-31.5kA 16-25kA 16-25kA	40-79kA 40-79kA 40-63kA 40-63kA



- Dimensional drawings and type test certificates of all the products are available on request



# PELKA

Ankara - İstanbul Yolu 25. km. (06105) Sarayköy - ANKARA / TURKEY  
Phone: (90-312) 815 44 68 (pbx) Fax: (90-312) 815 44 77